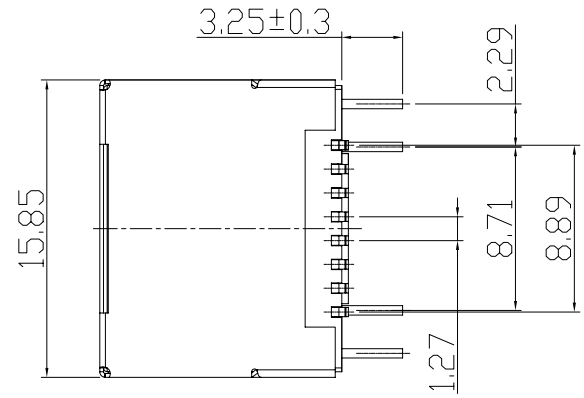
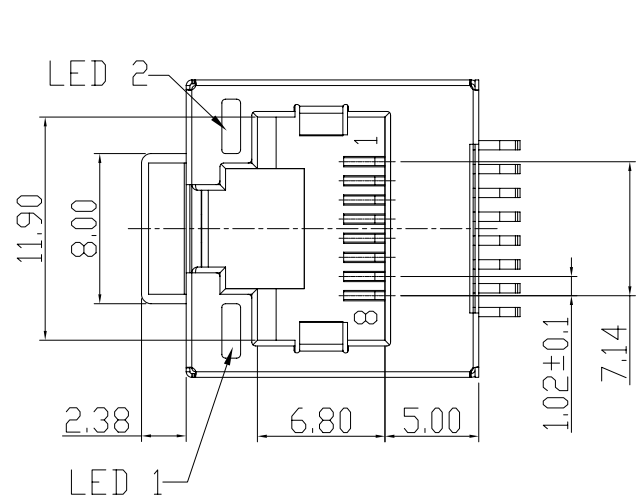


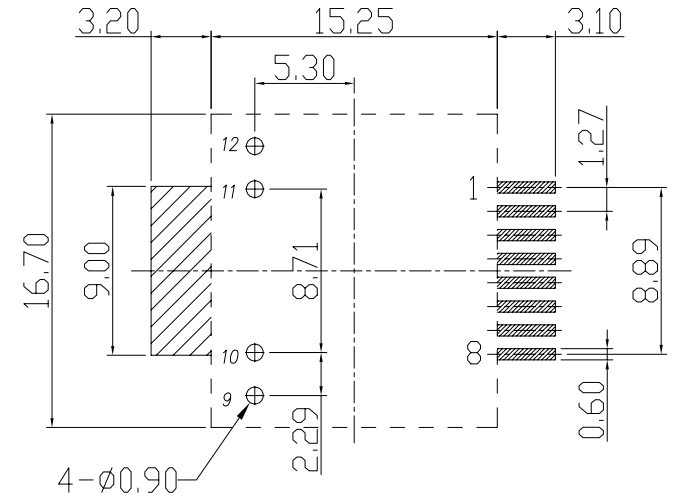
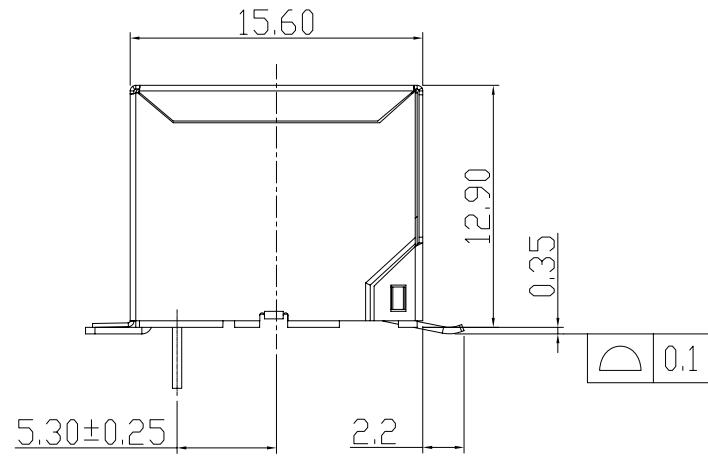
4	3	2	1
CATEGORY	DESCRIPTION	P/N #	
CONNECTOR	RJ45 180度SMT带壳带灯		

REV.	ECN NO	DESCRIPTION	REVISED	DATE
A01		New Release	XSY	2015.07.24



SPECIFICATION

- VOLTAGE RATING: 125 VAC RMS.
- CURRENT RATING: 1.5 AMP
- CONTACT RESISTANCE: 40 mΩ MAX
- INSULATION RESISTANCE: 500MΩ MIN.
- WITHSTAND VOLTAGE:
AC1000V RMS 50Hz or 60Hz MIN.
- OPERATING TEMPERATURE: -40°C~+80°C



Recommend PCB Layout
(Jack Top View)
Tolerance: ±0.05mm

g	LED-2	1	See Table 1	Tin PALTING	
f	LED-1	1	See Table 1	Tin PALTING	
e	SHELL	1	BRASS T=0.2mm	Ni PALTING	
d	ME	1	BRASS T=0.3mm	Tin PALTING	
c	TERMINAL	8	PHOSPHOR BRONZE T=0.35mm	Au/Tin PALTING	
b	INSERT	1	PA9T UL94V-0	BLACK	
a	HOUSING	1	PA9T UL94V-0	BLACK	
NO.	PART NAME	Q'TY	MATERIAL	PLATING & COLOR	Remark

UNLESS OTHERWISE SPECIFIED TOLERANCES	SCALE: 1/1	UNIT: mm	⊕ ⊖ DWG.NO:
	SIZE: A3	PAGE: 1 OF 1	REV: A01
DECIMALS: X :±0.5 X.X :±0.3 X.XX :±0.2	ANGLES: X :±2° X.X :±1°	APPROVED BY DICK	CHECKED BY XSY
		PREPARED BY XSY	
CUSTOMER COPY			

Coorle 库乐科技